

## DSP5065 DSP5165 DSP5265

### 50W 6" Two Way Commercial Pendant Speaker



#### Description

This loudspeaker series offers versatile installation options, including wall-mount, pendant, and floor-standing models. It delivers high-quality speech and music reproduction with an extended sound transmission range, making it ideal for conference rooms, shopping malls, exhibition halls, and various other indoor and outdoor venues.

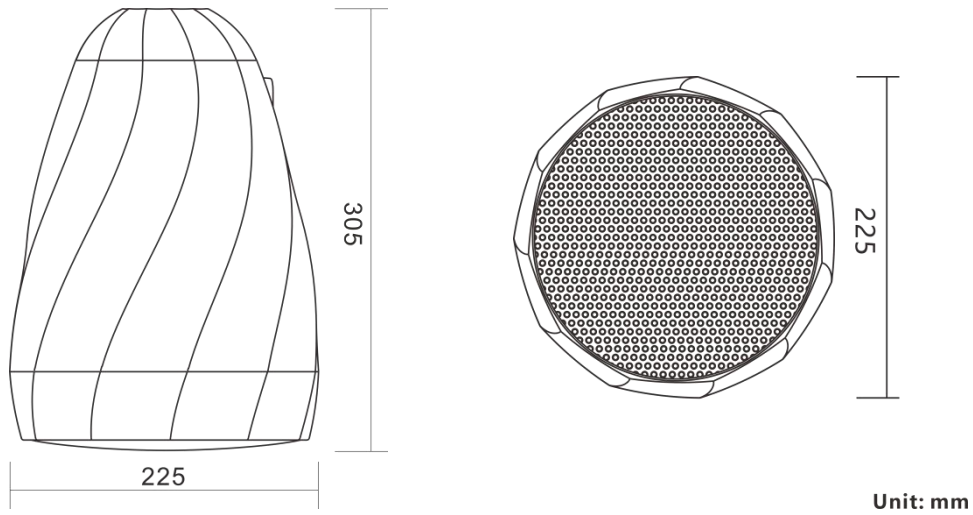
#### Features

- Applications: Ideal for public address and background music systems.
- Sound quality: Delivers clear, bright audio for a premium listening experience.
- Driver materials: High-quality PP cone with moisture-proof rubber surround, plus a silk dome tweeter for excellent tone and sound performance.
- Design: Simple, clean appearance with a fine round-hole diffusion grille — attractive, durable, and blends seamlessly into any setting.
- Enclosure: Made from high-strength ABS for rugged durability.
- Installation: Includes a mounting bracket for easy setup.

#### Specifications

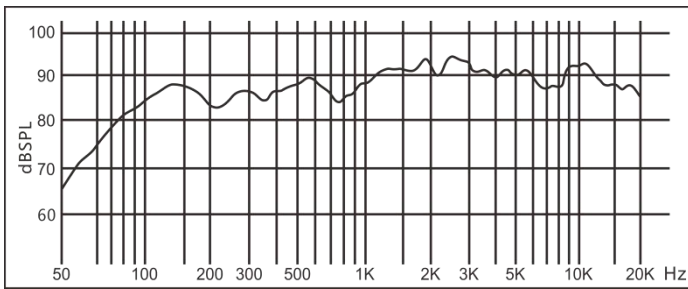
Model	DSP5065/DSP5165/DSP5265	
Speaker Unit	6.5"×1+1"×1	
Rated Power (RMS)	50W	
Power Adjustment	70V	1.5W-3.2W-6.3W-12.5W-25W
	100V	3.2W-6.3W-12.5W-25W-50W
	8Ω	50W
Sensitivity (1m, 1W)	88dB±2dB	
MAX. SPL. (1m)	105dB±2dB	
Frequency Response	90Hz~20kHz	
Dimensions (H×W×D)	∅225×305mm	
Weight	3.4kg	

## Product Information



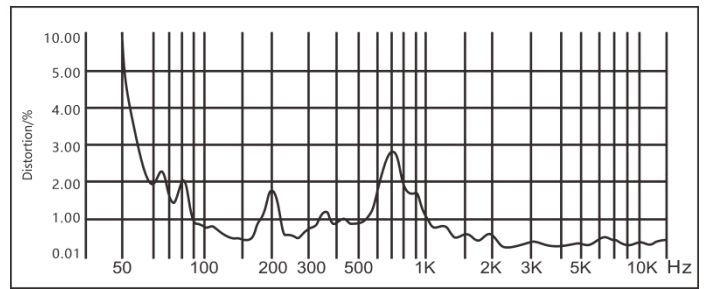
## Technical Parameters

**Frequency Response**  
(dB SPL, 1W, 1m)



**Distortion**

(THD < 5% 1W, 1m, 100Hz-10kHz)



**Directivity**

